



1-800-236-1072
www.msprecast.com

Mid-States Concrete Industries **flexicore**

12"X48" HOLLOWCORE

2" STRUCTURAL TOPPING
(2 HOUR FIRE RATING)



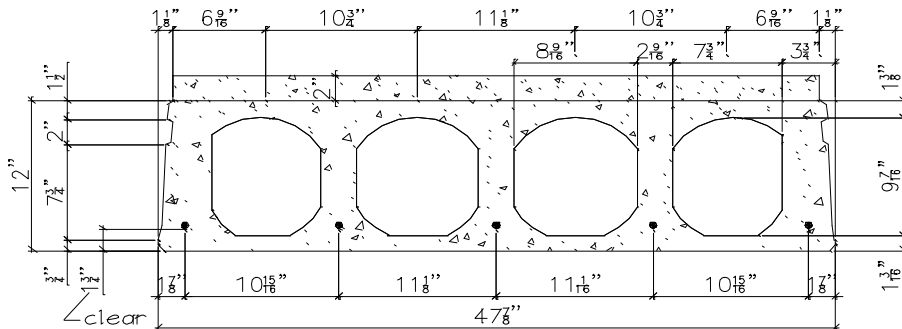
COMPOSITE DESIGN
SAFE LOAD TABLE

Standard Designation	#/Size of 7 Wire strand	Strand Area Sq.In.	Mu in Ft.-Kips per unit	SIMPLE SPAN IN FEET-CENTER TO CENTER OF END BEARINGS																														
				20	26	27	28	29	30	31	32	33	34	35	36	37	38	39	40	41	42	43	44	45	46	47	48	49	50	51	52	53	54	55
1.75-28910	2-1/2,9-.6	2.259	429.82				419	401	385	370	356	342	330	318	305	284	265	247	230	215	201	188	176	164	153	143	134	125	117	109	101	94	88	82
1.75-28610	2-1/2,6-.6	1.608	328.38		458	437	407	374	344	316	292	269	249	230	212	197	182	168	156	144	133	123	114	105	97	89	82	75	69	62	55	48	42	35
1.75-88	8-1/2	1.224	260.60	621	368	335	305	279	255	233	214	196	180	165	151	138	127	116	106	97	88	80	73	66	59	53	47	42	35	29	23			
1.75-78	7-1/2	1.071	231.84	596	318	288	262	239	217	198	181	165	150	137	125	114	103	94	85	77	69	62	55	49	43	38	33	27	21					
1.75-58	5-1/2	0.765	171.17	418	212	191	171	154	138	124	111	99	89	79	70	61	54	47	40	33	27	21												

UNIFORMLY DISTRIBUTED SUPERIMPOSED LOAD IN LBS. PER SQ. FT.

(Includes the live load plus dead load that is in addition to the weight of the grouted slabs in place and 2" topping.)

FOR LOADS & SPANS NOT SHOWN CONTACT MID-STATES CONCRETE INDUSTRIES



HOLLOWCORE - $f'_c = 9000 \text{ psi}$, $W_t = 79 \text{ psf}$
GROUT - $f'_c = 5000 \text{ psi}$

TOPPING - $f'_c = 4000 \text{ psi}$, $W_t = 25 \text{ psf}$

- 1- Dead Load, 104 psf grouted weight of structural unit.
- 2- Tabulated loads are based on ACI318-02 where $M_u = 1.4 M_d + 1.7 M_L$ and with all loads superimposed on the structural section considered as live load.
- 3- Camber is a result of the design rather than a design requirement. Heavy superimposed loads & / or long spans may cause excessive camber. Contact Mid-States Concrete Industries for more specific camber information.
- 4- Loads to the left of the solid stepped line are governed by shear
- 5- Loads underlined are controlled by permissible flexural tension at service loads.



1-800-236-1072
www.msprecast.com

Mid-States Concrete Industries flexicore

12"X48" HOLLOWCORE

2" STRUCTURAL TOPPING
(3 HOUR FIRE RATING)



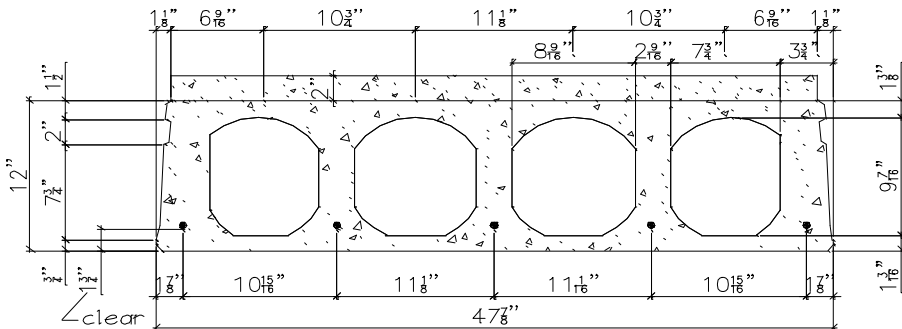
COMPOSITE DESIGN
SAFE LOAD TABLE

Standard Designation	#/Size of 7 Wire strand	Strand Area Sq.In.	Mu in Ft.-Kips per unit	SIMPLE SPAN IN FEET-CENTER TO CENTER OF END BEARINGS																															
				20	26	27	28	29	30	31	32	33	34	35	36	37	38	39	40	41	42	43	44	45	46	47	48	49	50	51	52	53	54	55	
1.75-28910	2-1/2,9-.6	2.259	429.82		458	437	419	401	385	362	333	307	283	261	241	223	206	190	176	162	150	138	127	117	108	99	90	82	75	68	62	55	49	44	
1.75-28610	2-1/2,6-.6	1.608	328.38	621	381	346	314	286	260	237	216	197	180	164	149	135	123	112	101	91	82	73	65	58	51	44	38	33	27	22					
1.75-88	8-1/2	1.224	260.60	530	271	244	220	198	178	160	144	129	116	103	92	81	72	63	55	47	40	33	27	21											
1.75-78	7-1/2	1.071	231.84	455	227	203	181	162	144	128	114	101	89	78	68	59	51	43	36	29	23														
1.75-58	5-1/2	0.765	171.17	301	135	118	102	88	76	64	54	45	36	28	21																				

UNIFORMLY DISTRIBUTED SUPERIMPOSED LOAD IN LBS. PER SQ. FT.

(Includes the live load plus dead load that is in addition to the weight of the grouted slabs in place and 2" topping.)

FOR LOADS & SPANS NOT SHOWN CONTACT MID-STATES CONCRETE INDUSTRIES



HOLLOWCORE - $f'_c = 9000 \text{ psi}$, $W_t = 79 \text{ psf}$
GROUT - $f'_c = 5000 \text{ psi}$

TOPPING - $f'_c = 4000 \text{ psi}$, $W_t = 25 \text{ psf}$

- 1- Dead Load, 104 psf grouted weight of structural unit.
- 2- Tabulated loads are based on ACI318-02 where $M_u = 1.4 M_d + 1.7 M_L$ and with all loads superimposed on the structural section considered as live load.
- 3- Camber is a result of the design rather than a design requirement. Heavy superimposed loads & / or long spans may cause excessive camber. Contact Mid-States Concrete Industries for more specific camber information.
- 4- Loads to the left of the solid stepped line are governed by shear



1-800-236-1072
www.msprecast.com

Mid-States Concrete Industries flexicore

12"X48" HOLLOWCORE

2" STRUCTURAL TOPPING
(4 HOUR FIRE RATING)



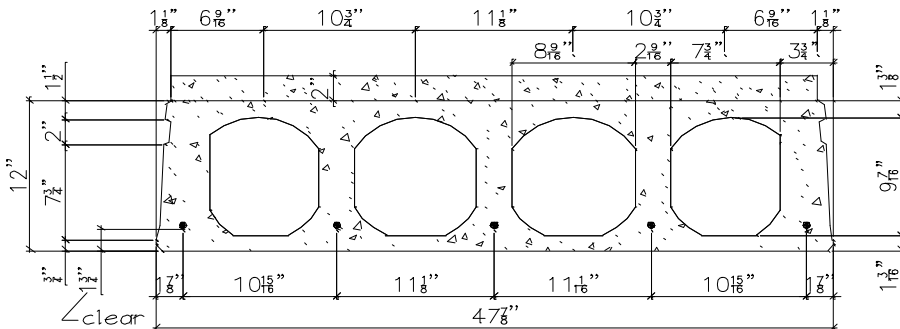
COMPOSITE DESIGN
SAFE LOAD TABLE

Standard Designation	#/Size of 7 Wire strand	Strand Area Sq.In.	Mu in Ft.-Kips per unit	SIMPLE SPAN IN FEET-CENTER TO CENTER OF END BEARINGS																														
				20	26	27	28	29	30	31	32	33	34	35	36	37	38	39	40	41	42	43	44	45	46	47	48	49	50	51	52	53	54	55
1.75-28910	2-1/2,9-.6	2.259	429.82	621	422	384	350	319	291	266	244	223	204	187	171	156	142	130	118	108	98	88	80	72	64	57	50	44	38	33	28	23		
1.75-28610	2-1/2,6-.6	1.608	328.38	543	279	251	226	204	184	165	149	134	120	107	96	85	75	66	58	50	43	36	30	24										
1.75-88	8-1/2	1.224	260.60	395	191	170	151	133	118	104	91	79	69	59	50	42	34	27	21															
1.75-78	7-1/2	1.071	231.84	335	156	137	120	105	91	79	68	57	48	39	32	24																		
1.75-58	5-1/2	0.765	171.17	213	84	70	58	47	37	28	20																							

UNIFORMLY DISTRIBUTED SUPERIMPOSED LOAD IN LBS. PER SQ. FT.

(Includes the live load plus dead load that is in addition to the weight of the grouted slabs in place and 2" topping.)

FOR LOADS & SPANS NOT SHOWN CONTACT MID-STATES CONCRETE INDUSTRIES



HOLLOWCORE - $f'_c = 9000 \text{ psi}$, $W_t = 79 \text{ psf}$
GROUT - $f'_c = 5000 \text{ psi}$

TOPPING - $f'_c = 4000 \text{ psi}$, $W_t = 25 \text{ psf}$

- 1- Dead Load, 104 psf grouted weight of structural unit.
- 2- Tabulated loads are based on ACI318-02 where $M_u = 1.4 M_d + 1.7 M_L$ and with all loads superimposed on the structural section considered as live load.
- 3- Camber is a result of the design rather than a design requirement. Heavy superimposed loads & / or long spans may cause excessive camber. Contact Mid-States Concrete Industries for more specific camber information.
- 4- Loads to the left of the solid stepped line are governed by shear



Mid-States Concrete Industries **flexicore**

12"X48" HOLLOWCORE

(2 HOUR FIRE RATING)



1-800-236-1072

www.msprecast.com

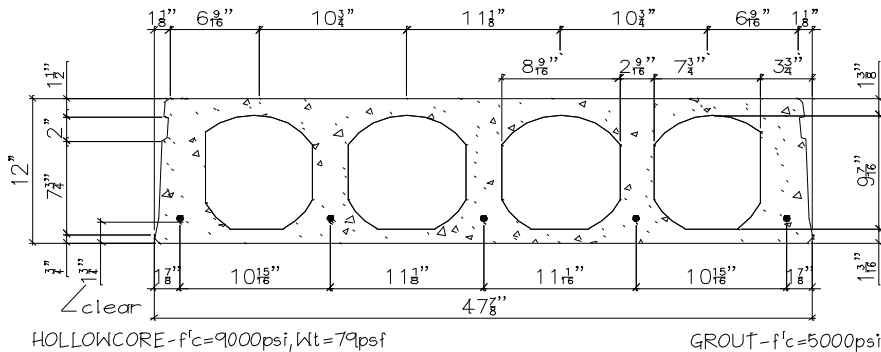
SAFE LOAD TABLE

Standard Designation	#/Size of 7 Wire strand	Strand Area Sq.In.	Mu in Ft.-Kips per unit	SIMPLE SPAN IN FEET-CENTER TO CENTER OF END BEARINGS																														
				20	26	27	28	29	30	31	32	33	34	35	36	37	38	39	40	41	42	43	44	45	46	47	48	49	50	51	52	53	54	55
1.75-28910	2-1/2,9-.6	2.259	392.42						327	315	303	292	281	271	262	253	245	237	223	210	197	185	173	163	153	144	135	127	120	112	106	99	93	88
1.75-28610	2-1/2,6-.6	1.608	292.82		388	371	355	341	318	293	271	251	233	216	201	187	174	161	150	140	130	121	113	105	98	91	84	78	73	67	62	58	53	49
1.75-88	8-1/2	1.224	228.62		333	304	278	255	234	215	198	182	168	155	142	131	121	112	103	95	87	80	74	68	62	57	52	47	43	38	34	30	26	23
1.75-78	7-1/2	1.071	202.07	523	287	261	238	218	199	182	167	153	141	129	118	109	100	91	84	76	70	64	58	52	47	43	38	34	29	25	21			
1.75-58	5-1/2	0.765	147.29	368	191	173	156	141	127	115	104	94	85	76	69	62	55	49	43	37	32	27	22											

UNIFORMLY DISTRIBUTED SUPERIMPOSED LOAD IN LBS. PER SQ. FT.

(Includes the live load plus dead load that is in addition to the weight of the grouted slabs in place.)

FOR LOADS & SPANS NOT SHOWN CONTACT MID-STATES CONCRETE INDUSTRIES



- 1- Dead Load, 79 psf grouted weight of structural unit.
- 2- Tabulated loads are based on ACI318-02 where $M_u = 1.4 M_d + 1.7 M_L$ and with all loads superimposed on the structural section considered as live load.
- 3- Camber is a result of the design rather than a design requirement. Heavy superimposed loads & / or long spans may cause excessive camber. Contact Mid-States Concrete Industries for more specific camber information.
- 4- Loads to the left of the solid stepped line are governed by shear



Mid-States Concrete Industries **flexicore**

12"X48" HOLLOWCORE

(3 HOUR FIRE RATING)



1-800-236-1072

www.msprecast.com

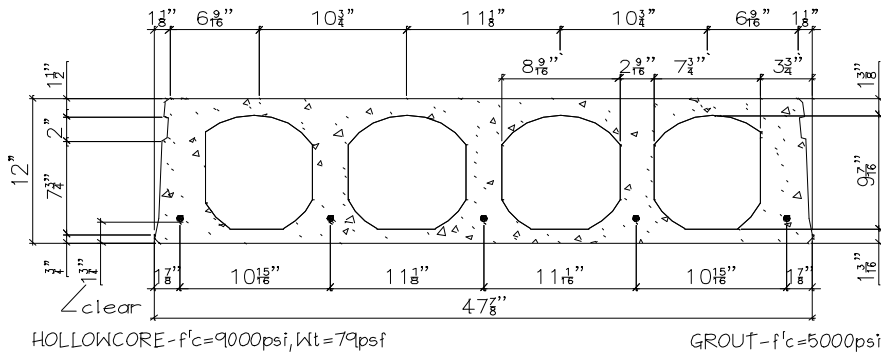
SAFE LOAD TABLE

Standard Designation	#/Size of 7 Wire strand	Strand Area Sq.In.	Mu in Ft.-Kips per unit	SIMPLE SPAN IN FEET-CENTER TO CENTER OF END BEARINGS																														
				20	26	27	28	29	30	31	32	33	34	35	36	37	38	39	40	41	42	43	44	45	46	47	48	49	50	51	52	53	54	55
1.75-28910	2-1/2,9-.6	2.259	392.42		388	371	355	341	327	315	299	277	256	237	220	204	189	176	163	152	141	131	121	112	104	96	89	82	76	70	64	59	54	49
1.75-28610	2-1/2,6-.6	1.608	292.82	523	336	306	279	255	233	213	195	179	164	150	138	126	115	106	96	88	80	73	66	60	54	48	43	38	33	29	25	21		
1.75-88	8-1/2	1.224	228.62	461	240	217	196	178	161	146	132	119	108	97	88	79	71	63	56	49	43	38	33	28	23									
1.75-78	7-1/2	1.071	202.07	395	202	181	163	147	132	118	106	95	85	76	67	60	52	46	40	34	29	24												
1.75-58	5-1/2	0.765	147.29	262	123	108	95	83	73	63	54	46	39	33	26	21																		

UNIFORMLY DISTRIBUTED SUPERIMPOSED LOAD IN LBS. PER SQ. FT.

(Includes the live load plus dead load that is in addition to the weight of the grouted slabs in place.)

FOR LOADS & SPANS NOT SHOWN CONTACT MID-STATES CONCRETE INDUSTRIES



- 1- Dead Load, 79 psf grouted weight of structural unit.
- 2- Tabulated loads are based on ACI318-02 where $M_u = 1.4 M_d + 1.7 M_L$ and with all loads superimposed on the structural section considered as live load.
- 3- Camber is a result of the design rather than a design requirement. Heavy superimposed loads & / or long spans may cause excessive camber. Contact Mid-States Concrete Industries for more specific camber information.
- 4- Loads to the left of the solid stepped line are governed by shear



Mid-States Concrete Industries **flexicore**

12"X48" HOLLOWCORE

(4 HOUR FIRE RATING)



1-800-236-1072

www.msprecast.com

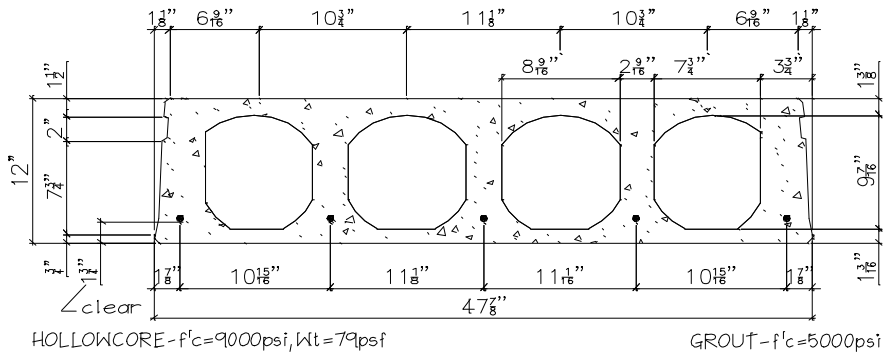
SAFE LOAD TABLE

Standard Designation	#/Size of 7 Wire strand	Strand Area Sq.In.	Mu in Ft.-Kips per unit	SIMPLE SPAN IN FEET-CENTER TO CENTER OF END BEARINGS																															
				20	26	27	28	29	30	31	32	33	34	35	36	37	38	39	40	41	42	43	44	45	46	47	48	49	50	51	52	53	54	55	
1.75-28910	2-1/2,9-.6	2.259	392.42	523	373	340	311	284	260	239	219	202	185	170	157	144	133	122	112	103	94	86	79	72	65	59	54	48	43	38	34	30	26	22	
1.75-28610	2-1/2,6-.6	1.608	292.82	472	247	223	202	183	166	150	136	123	112	101	91	82	74	66	59	52	46	40	35	30	25	21									
1.75-88	8-1/2	1.224	228.62	344	171	153	137	122	109	97	86	76	67	59	52	45	38	32	27	22															
1.75-78	7-1/2	1.071	202.07	292	141	125	110	98	86	75	66	57	49	42	36	29	24																		
1.75-58	5-1/2	0.765	147.29	188	79	67	57	48	40	32	25																								

UNIFORMLY DISTRIBUTED SUPERIMPOSED LOAD IN LBS. PER SQ. FT.

(Includes the live load plus dead load that is in addition to the weight of the grouted slabs in place.)

FOR LOADS & SPANS NOT SHOWN CONTACT MID-STATES CONCRETE INDUSTRIES



- 1- Dead Load, 79 psf grouted weight of structural unit.
- 2- Tabulated loads are based on ACI318-02 where $M_u = 1.4 M_d + 1.7 M_L$ and with all loads superimposed on the structural section considered as live load.
- 3- Camber is a result of the design rather than a design requirement. Heavy superimposed loads & / or long spans may cause excessive camber. Contact Mid-States Concrete Industries for more specific camber information.
- 4- Loads to the left of the solid stepped line are governed by shear