



Mid-States Concrete Industries **flexicore**

12"X48" HOLLOWCORE

(4 HOUR FIRE RATING)



1-800-236-1072
www.msprecast.com

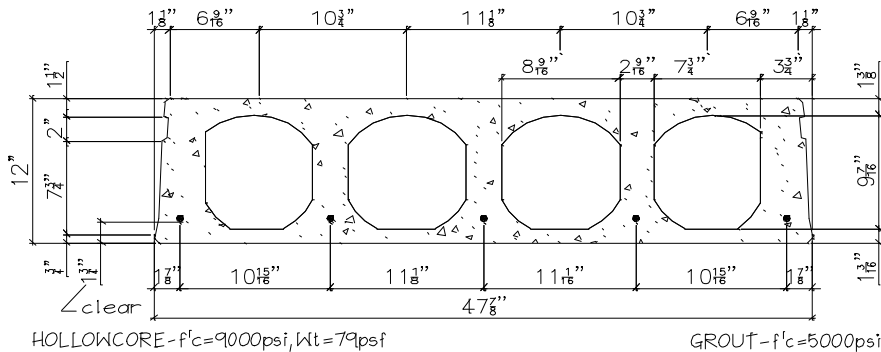
SAFE LOAD TABLE

Standard Designation	#/Size of 7 Wire strand	Strand Area Sq.In.	Mu in Ft.-Kips per unit	SIMPLE SPAN IN FEET-CENTER TO CENTER OF END BEARINGS																															
				20	26	27	28	29	30	31	32	33	34	35	36	37	38	39	40	41	42	43	44	45	46	47	48	49	50	51	52	53	54	55	
1.75-28910	2-1/2,9-.6	2.259	392.42	523	373	340	311	284	260	239	219	202	185	170	157	144	133	122	112	103	94	86	79	72	65	59	54	48	43	38	34	30	26	22	
1.75-28610	2-1/2,6-.6	1.608	292.82	472	247	223	202	183	166	150	136	123	112	101	91	82	74	66	59	52	46	40	35	30	25	21									
1.75-88	8-1/2	1.224	228.62	344	171	153	137	122	109	97	86	76	67	59	52	45	38	32	27	22															
1.75-78	7-1/2	1.071	202.07	292	141	125	110	98	86	75	66	57	49	42	36	29	24																		
1.75-58	5-1/2	0.765	147.29	188	79	67	57	48	40	32	25																								

UNIFORMLY DISTRIBUTED SUPERIMPOSED LOAD IN LBS. PER SQ. FT.

(Includes the live load plus dead load that is in addition to the weight of the grouted slabs in place.)

FOR LOADS & SPANS NOT SHOWN CONTACT MID-STATES CONCRETE INDUSTRIES



- 1- Dead Load, 79 psf grouted weight of structural unit.
- 2- Tabulated loads are based on ACI318-02 where $M_u = 1.4 M_d + 1.7 M_L$ and with all loads superimposed on the structural section considered as live load.
- 3- Camber is a result of the design rather than a design requirement. Heavy superimposed loads & / or long spans may cause excessive camber. Contact Mid-States Concrete Industries for more specific camber information.
- 4- Loads to the left of the solid stepped line are governed by shear